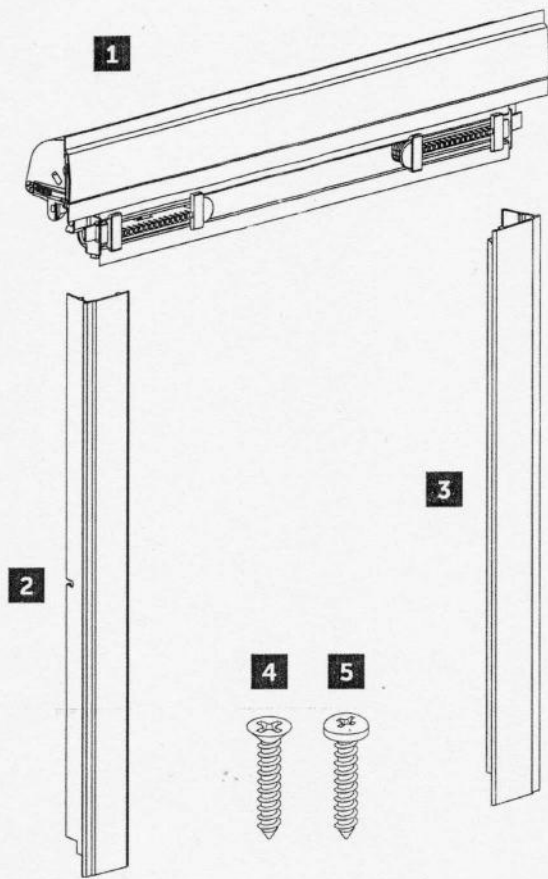


BLIND CONTENTS



- 1** Headbox
- 2** Left side channel
- 3** Right side channel
- 4** 4 x countersunk screws
- 5** 2 x pan head screws (optional)

TOOLS REQUIRED

Screw driver

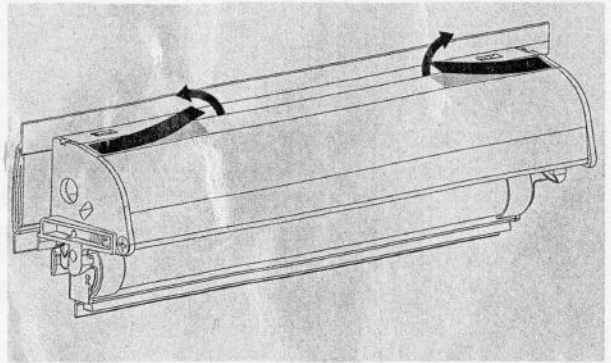


2mm Allen Key
(included)



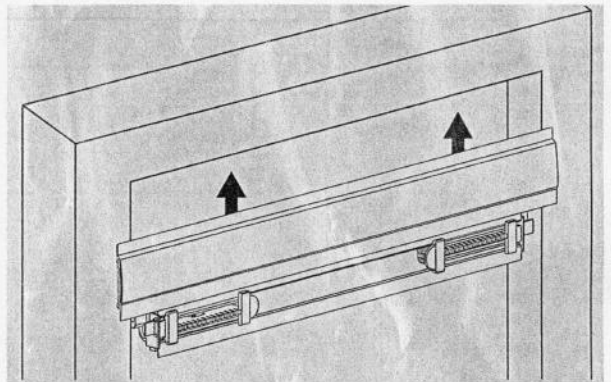
STEP 1

Peel the backing from the red double sided tape on the headbox.



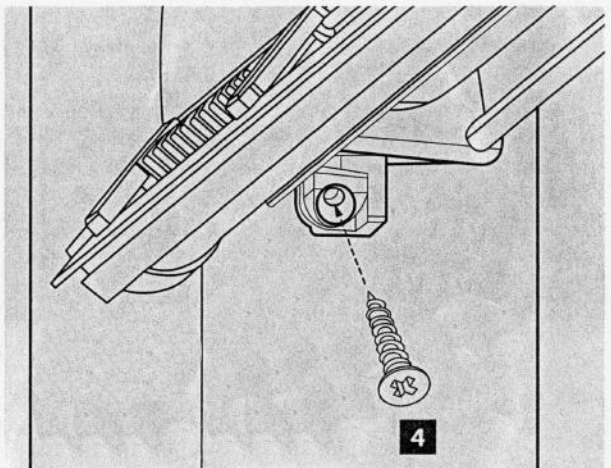
STEP 2

Secure headbox to top of window using double sided tape.



STEP 3

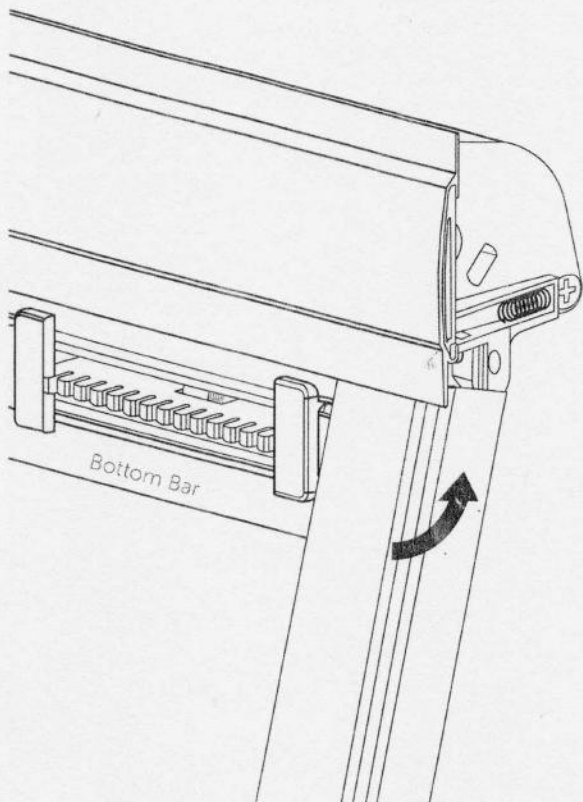
Secure headbox to window frame at each side using countersunk screws.



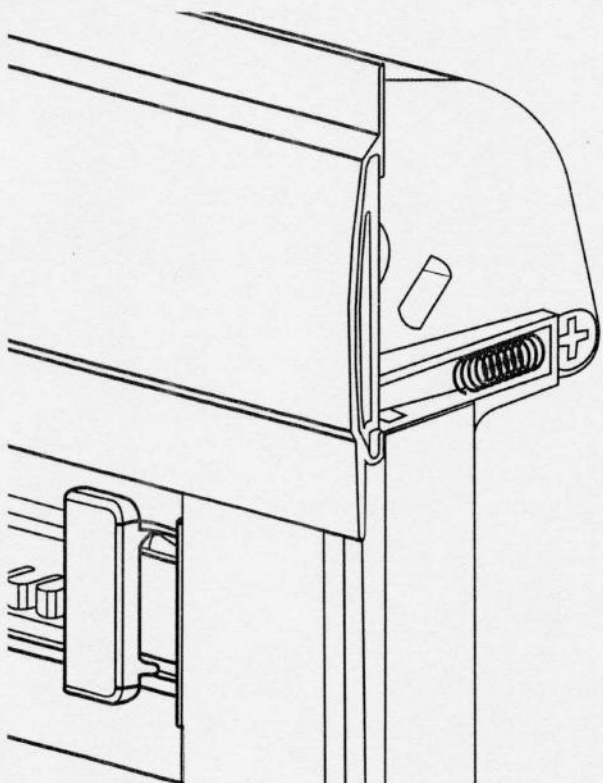
STEP 4

Slide the right side channel at a 30° angle onto the bottom bar end cap to ensure position under the headbox lip.

Push the lower end of the side channel into position against the edge of the window.

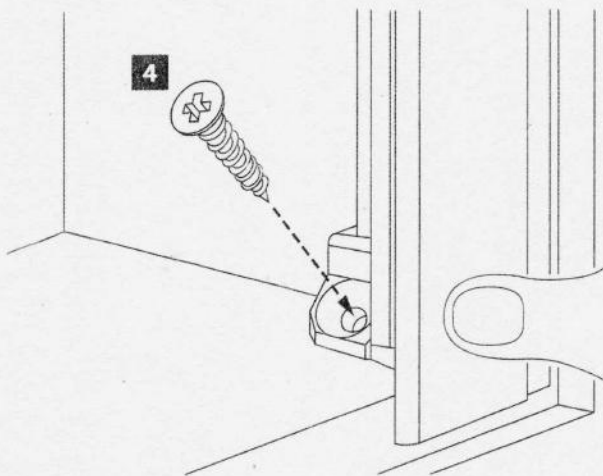


Final position



STEP 5

Secure the side channel into position using the countersunk screws provided.



REPEAT STEPS 4 + 5
FOR LEFT SIDE CHANNEL.

STEP 6

For larger windows (04 or bigger) additional fixing pan head screws are supplied.

5

