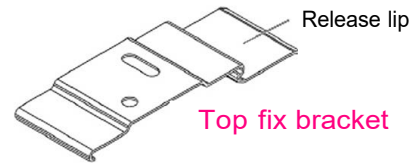
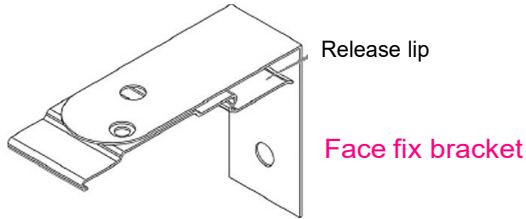
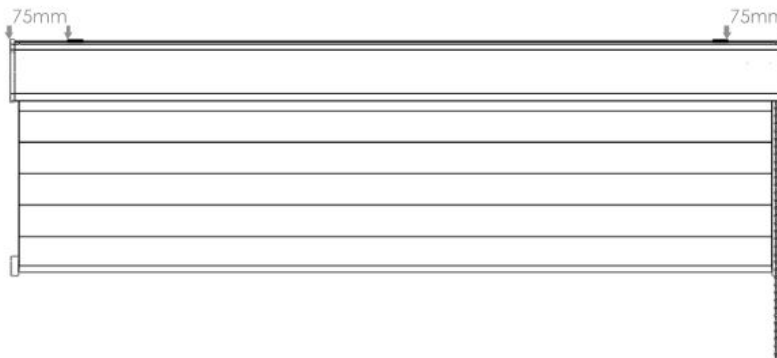


DAY & NIGHT BLIND | FITTING GUIDE

Depending on the fitting option you have chosen when ordering, you will install the blind using either the top fix or face fix brackets shown below.



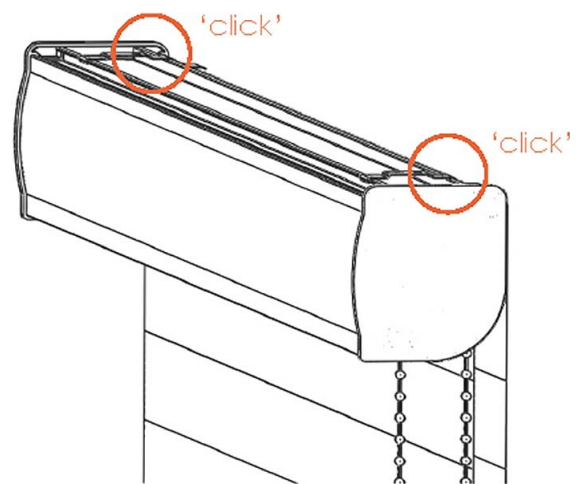
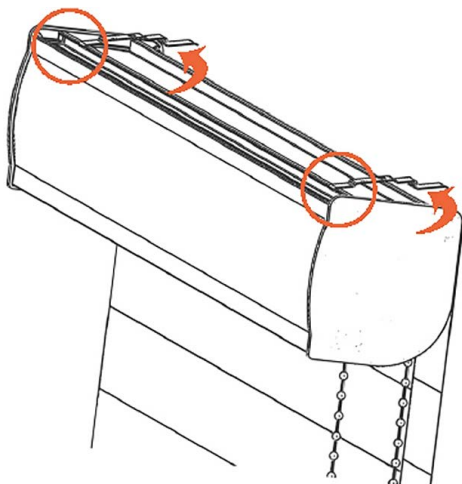
When fitting the brackets, the bracket release lip should face the back of the blind. Please make sure that you allow for any obstacles including protruding window handles, etc.



Depending on the width of your blind, you will be provided with a certain number of brackets. For the smallest blind you will receive at least two brackets. These brackets should be mounted approximately 75mm from each end of the blind to ensure an even and stable fit. Any additional brackets you have received should be spaced evenly between these to support the larger width of the blind.

Fitting the cassette:

Once the brackets have been fitted, hold the blind up to the brackets.



With the cassette tilted away from you (towards the brackets), locate the front lip of the cassette into the bracket and twist into position until it clicks. Your blind is now secured in position.

CHILD SAFETY

Your blind will be fitted with a double breakaway connection safety device which snaps the chain apart under a certain amount of weight pressure. This is 100% compliant with the current child safety laws, but 'P' brackets are available on our website if you prefer that option.

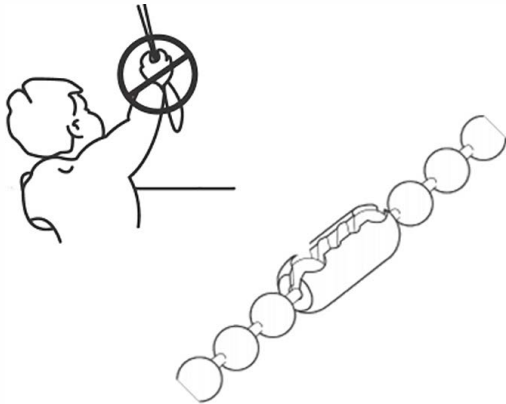
WARNING

Young children can be strangled by loops in pull cords and chains that operate the product.

To avoid strangulation and entanglement, always use an appropriate safety device to keep the cords or chains either unable to form a loop or so that they snap under weight pressure.

Cords may become wrapped around a child's neck if a safety device is not fitted. Move beds, cots and furniture away from window covering cords to reduce the risk of accidents.

Breakaway connectors



Two breakaway connectors are fitted to the chain of your blind which allows the chain to snap apart under a certain amount of weight pressure. This eliminates the risk of strangulation to young children.

If the chain has snapped apart, simply connect the ends of the chain back into the breakaway connectors to secure the chain.